

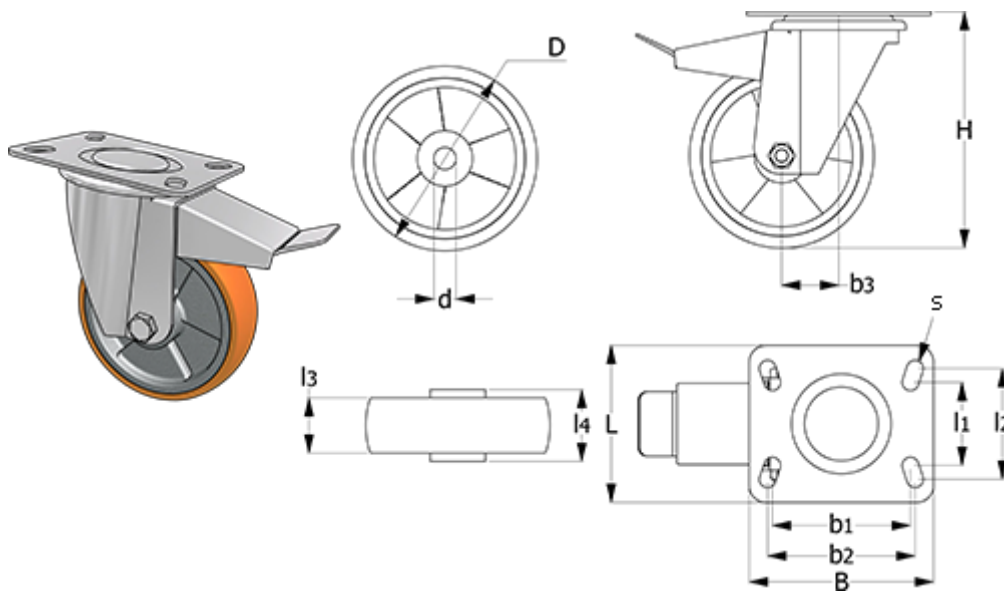
# Data Sheet



Article number: 2314451706

Description: E+G Aluminiums wheel 451706  
RE.F5-150-SSL-H turning plate wo/brake

## Measures



B	= 140	H	= 200	Type	= RE.F5-150-SSL-H
b1	= 105	L	= 110	Weight (g)	= 3180
b2	= 105	l1	= 73		
b3	= 70	l2	= 87		
Code	= 451706	l3	= 40		
D	= 150	l4	= 50		
d	= 20	Rolling resistance (N)	= 3300		
Dynamic load (N)	= 6000	s	= 11		